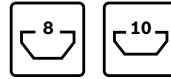


19139

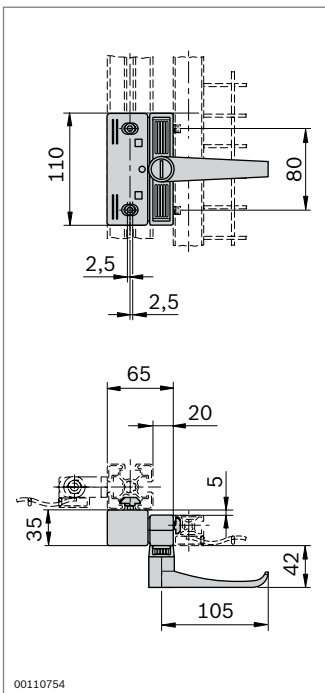
## Door lock for EcoSafe sliding doors



- ▶ Opening to the right and left
- ▶ “Standard locking” variant with random key selection (each lock has a different key)
- ▶ “Uniform locking” variant always has the same key

Optional accessories:

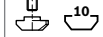
Stop kit for cushioned closing of the doors (p. 12-5)



00110754

### FS1

DIN 7984  
M6x40



### FS2

DIN 912  
M6x12



Door lock for sliding doors	No.	FS
Standard locking	3 842 525 946	2xFS1, 2xFS2
Uniform locking	3 842 525 947	2xFS1, 2xFS2

Material: Housing: Die-cast aluminum  
Door handle: PA, black  
mounting material: steel; galvanized

Scope of delivery: incl. 3 keys, fastening material (FS)